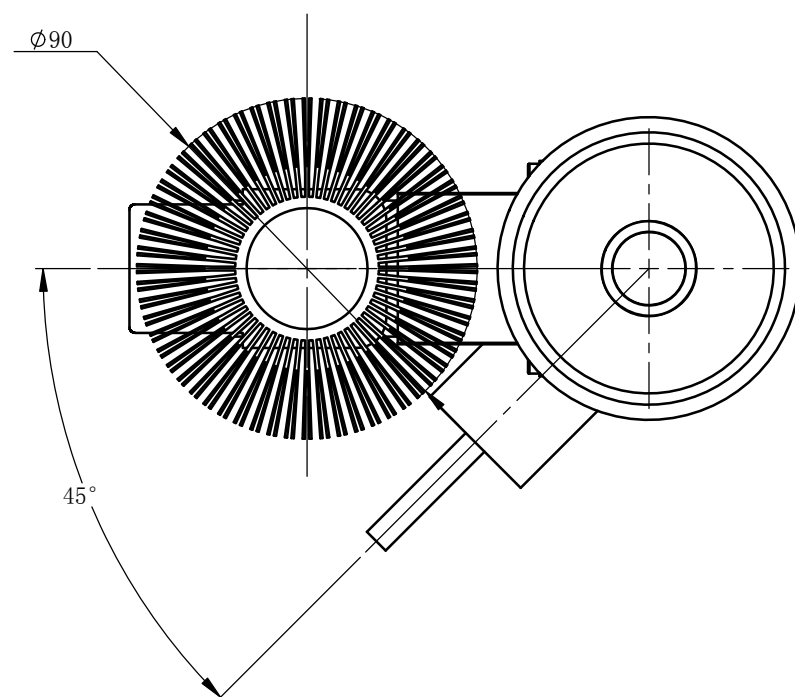


XF-VM3-1X-DIC

Specification

1. Imaging magnification: 1X (200mm focal length)
2. Size of Image field: 4/3' (Diameter:22.5mm)
3. Max Entrance pupil diameter: φ12mm
4. Imaging method: DIC
5. Imaging wavelength: Visible light
6. Illumination wavelength: Visible light
7. Illumination electric power (standard): Power rating: 30W(3.75V 8A)
8. Color of illumination light source: Blue(460nm), other color need to be custom
9. Objective lens mount type: M26×0.706
10. Customize magnification : 0.96X、0.7X、0.63X



Undefined tolerance (mm)	degree	File Name			
X.X	±0.2	±30min	XF-VM3-1X-DIC-外形尺寸-V7.0-EN		
X.XX	±0.02	Drawing Name			
X.XXX	±0.005	Drawing Size: A3			
	Sign	Data/Ver.	Material	Ratio	Product Name
Design		V7.0		1:2	
Modify1			Qty		Canrill OPTICS <small>All design and drawings are intellectual property of Canrill Optics, can not be copied without Canrill's authorization.</small>
Modify2			Total:	Page:	